



The new generation of DIN connectors provides unsurpassed IP67 sealing performance with easier assembly and mounting and lower installed cost.

mPm[®] DIN Connectors

New Generation

Features

- Unsurpassed IP67 sealing performance, even in humidity
- Suitable for cables from 4mm to 9mm
- Fewer components reduces cost and simplifies assembly
- Supplied disassembled in one bag to reduce assembly cost

Typical Application

All industrial application

- Solenoid valves
- Pneumatics
- Hydraulics
- Gas valves
- Pressure switches
- Transducers
- Cylinders



Overview

The BradConnectivity™ product line extends its range by introducing the new generation of DIN connectors. The mPm[®] DIN connector is designed to save time and money, while improving overall performance and reliability. This innovative design reduces the number of components, making it easier to assemble; with fewer parts to stock. Traditional connectors are supplied pre-assembled, requiring the operator to disassemble the connector before terminating the cable. This new generation of connectors is supplied in single set or bulk components, eliminating the costly effort of disassembly and providing further cost savings.

The BradConnectivity™ mPm[®] products are recognized throughout the industry for their performance and reliability. The new generation design provides repeatable, unsurpassed IP67 sealing performance (even in humidity) using an external nut over the cable. Traditional Form A and B connectors require three different styles for PG07, PG09, and PG11. However, the external nut accepts a wider range of cables (4mm to 9mm), reducing the number of parts from 3 to 1. Combined with our fixed gasket, assembly and mounting could not be easier.

Fewer parts to stock, easier assembly and mounting lower installed cost, and unsurpassed IP67 sealing performance. This new generation of DIN connectors is available in our complete range of field attachable sizes, including Form A, Form B and Form C▲

Technical Description

DIN 43650, FORM A

C 282/C 283

2/3 poles + ground

Mechanical

Contact distance	18 ± 0,1
Housing	Glass Filled Polyamide
Ø cable range	4 ÷ 9 mm

Electrical

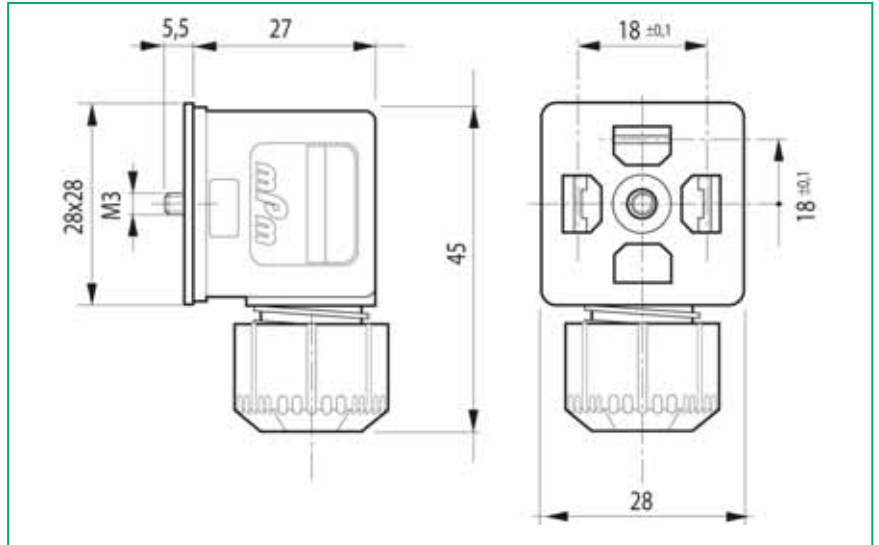
Voltage rating	
- AC	Max. 250V
- DC	Max. 300V
Max. current	16A
Contact resistance	≤ 4 m Ohm
Max. conductor	1,5 mm ² / AWG16

Environmental

Protection class	IP 67 EN60529
Gasket material	
- Nitrile Rubber	-40° C + +90°C
- Silicon	-40° C + +125°C

Packaging

Packing unit	Single pack or 500 pcs bulk components
--------------	--



C 2 8 2 0 0 N 0 R

Numbers of poles

- 2 = 2 poles + ground
- 3 = 3 poles + ground

Colour

- N = Black
- G = Gray
- W = Black self extinguishing mat.
- Y = Gray self extinguishing mat.
- T = Transparent

Gasket - screw

- R = Integrated gasket in Nitrile Rubber + fixing screw IP67
- T = Profile gasket in Nitrile Rubber + fixing screw IP67
- U = Profile gasket in Silicon + fixing screw IP67
- V = Integrated gasket in Silicon + fixing screw IP67



Technical description

INDUSTRIAL FORM

DIN 43650, FORM B

C 222

2 poles + ground

C 922

2 poles + ground

Mechanical

Contact distance

- 222 11 ± 0,1
- 922 10 ± 0,1

Housing

Glass Filled Polyamide

Ø cable range

4 ÷ 9 mm

Electrical

Voltage rating

- AC Max. 250V
- DC Max. 300V

Max. current

16A

Contact resistance

≤ 4 m Ohm

Max. conductor

1,5 mm² / AWG16

Environmental

Protection class

IP 67 EN60529

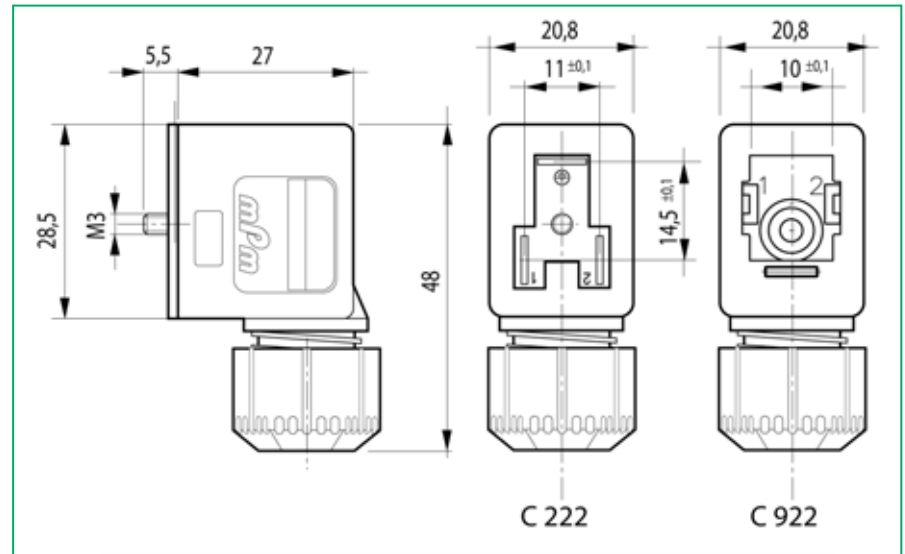
Gasket material

- Nitrile Rubber -40° C ÷ +90°C
- Silicon -40° C ÷ +125°C

Packaging

Packing unit

Single pack or 500 pcs bulk components



Series

- 2 = Industrial Form
- 9 = DIN 43650, Form B

Colour

- N = Black
- G = Gray
- W = Black self extinguishing mat.
- Y = Gray self extinguishing mat.
- T = Transparent

Gasket - screw

- R = Integrated gasket in Nitrile Rubber + fixing screw IP67 (Not available for model C922)
- T = Profile gasket in Nitrile Rubber + fixing screw IP67
- U = Profile gasket in Silicon + fixing screw IP67
- V = Integrated gasket in Silicon + fixing screw IP67 (Not available for model C922)
- W = Flat gasket in Nitrile Rubber + fixing screw IP67
- Z = Flat gasket in Silicon + fixing screw IP67

mPm[®] DIN Connectors

New Generation



Technical description

DIN 43650, FORM C

MICRO

Mechanical

Contact distance	
- 252/253	8 ± 0,1
- 292/293	9,4 ± 0,1
Housing	Glass Filled Polyamide
Ø cable range	3 ÷ 5,5 mm

Electrical

Voltage rating	
- AC	Max. 250V
- DC	Max. 300V
Max. current	10A
Contact resistance	≤ 4 m Ohm
Max. conductor	0,75 mm ² / AWG18

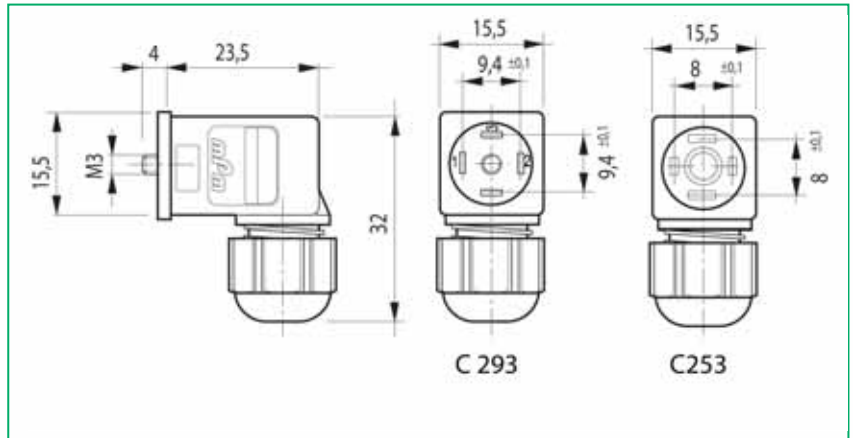
Environmental

Protection class	IP 67 EN60529
Gasket material	
- Nitrile Rubber	-40° C ÷ +90° C
- Silicon	-40° C ÷ +125° C

Packaging

Packing unit	Single pack or 500 pcs bulk components
--------------	--

C 252/C 253*	2/3 poles + ground
C 292/C 293*	2/3 poles + ground



Series

5 =	DIN 43650, Form C
9 =	MICRO

Numbers of poles

2 =	2 poles + ground
3 =	3 poles + ground

Colour

N =	Black
G =	Gray
W =	Black self extinguishing mat.
Y =	Gray self extinguishing mat.
T =	Transparent

Gasket - screw

R =	Integrated gasket in Nitrile Rubber + fixing screw IP67
T =	Profile gasket in Nitrile Rubber + fixing screw IP67
U =	Profile gasket in Silicon + fixing screw IP67
V =	Integrated gasket in Silicon + fixing screw IP67

* The series C (C252, C253, C292, C293) will be available starting from December 2007